



ULS-02™

Ultrasonic Level Sensor

The ULS-02™ ultrasonic level sensor transmits series of ultrasonic pulses which propagate towards the liquid surface. The reflected acoustic wave is received back in the ULS-02™ transducer and processed in the electronic module. The distances calculations are based on time flight of the acoustic wave to the level and back.

The ULS-02™ and ULS-06™ sensors can easily be combined with the new generation open channel non-contact RAVEN-EYE® radar velocity sensor and constitute a custom-tailored non-contact open channel area/velocity flowmeter.

The ULS sensors are ultrasonic level sensors providing continuous level measurement of liquids like water and wastewater. They are self-contained units that include the electroacoustic transducer and the electronic module.

The ULS-02™ and ULS-06™ level sensors are suited to continuous non-contact level measurement of liquid in closed conduit or open channel applications.



Vertegenwoordigd Flow-tronics in Nederland

www.tenkatekool.nl

info@tenkatekool.nl

tel mobiel 0611366098

TECHNICAL SPECIFICATIONS ULS-02™ & ULS-06™

Measuring Range

ULS-02™ 0,25 m to 2 m

ULS-06™ 0,25 m to 6 m

Supply Voltage

ULS-02™ / ULS-06™ 18...36 VDC

Optional : 10...18 VDC

Current Supply

ULS-02™ / ULS-06™ 12 mA

Voltage Output

ULS-02™ / ULS-06™ 0...10V

Resolution

ULS-02™ / ULS-06™ < 1mm

Accuracy

ULS-02™ 0,3%

ULS-06™ 0,2%

Temperature Error

ULS-02™ / ULS-06™ max.0.04% /K

Beamwidth (-3dB)

ULS-02™ 10°

ULS-06™ 14°

Operating Temperature Range

ULS-02™ / ULS-06™ -30°C... +70°C

Measuring Period

ULS-02™ 0,6s

ULS-06™ 1,0s

Averaging

ULS-02™ / ULS-06™ 4 measurements

Short Time Temperature Stress Resistance

ULS-02™ / ULS-06™ +90°C / 1 hour

Max. Operation Overpressure (on transmission surface)

ULS-02™ / ULS-06™ 0.1MPa

Protection Class

ULS-02™ / ULS-06™ IP68

Weight

ULS-02™ 0,55 kg

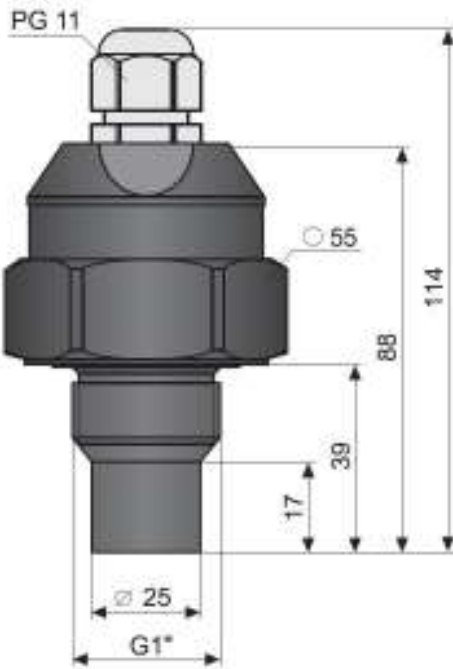
ULS-06™ 0,65 kg

Current Output

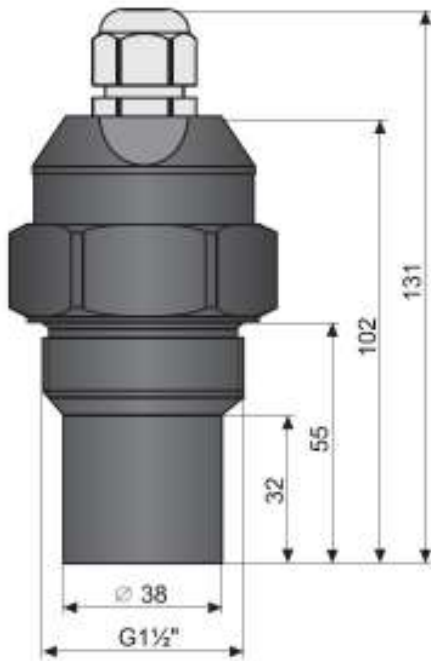
ULS-02™ / ULS-06™ : 4...20mA (limit values 3.9 ... 20.5 mA)



TECHNICAL SPECIFICATIONS
ULS-02™ & ULS-06™



ULS-02™



ULS-06™

Voltage Output

ULS-02™ / ULS-06™ 0...10V (limit values 0 ... 10.2 V)

Specifications are subject to change without notice
Updated: 10/04/2013



Vertegenwoordigd Flow-tronics in Nederland

www.tenkatekool.nl

info@tenkatekool.nl

tel mobiel 0611366098

